

1

2

3

4

5

6

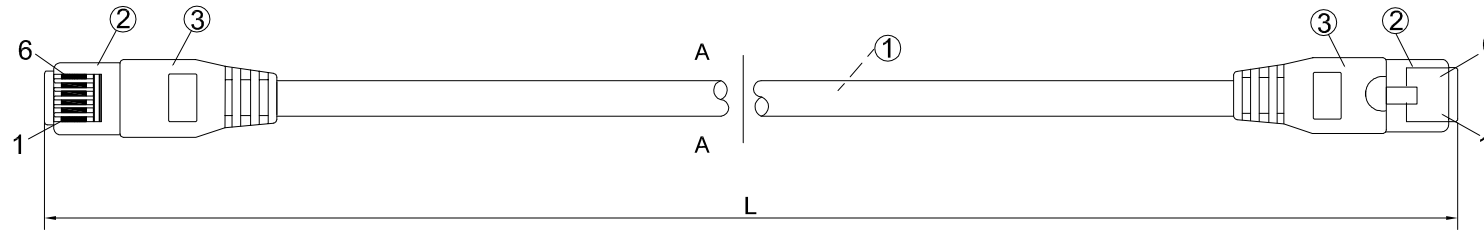
7

A

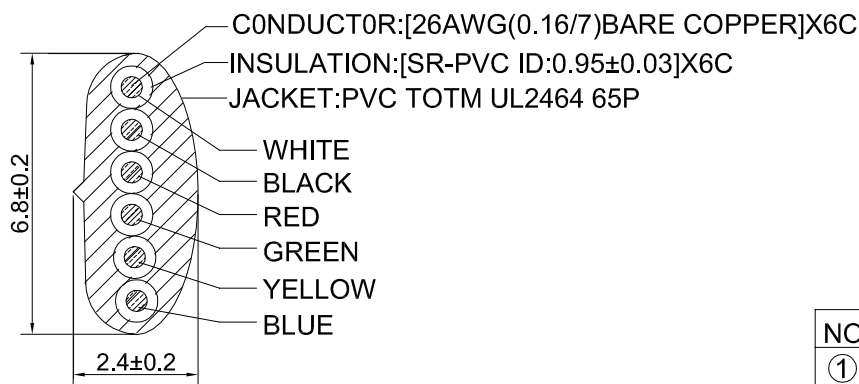
A

P1

P2



PACKAGE: Bulk(100pcs PE Bag)



| P1 | | P2 | |
|----|--------|----|--|
| 1 | WHITE | 1 | |
| 2 | BLACK | 2 | |
| 3 | RED | 3 | |
| 4 | GREEN | 4 | |
| 5 | YELLOW | 5 | |
| 6 | BLUE | 6 | |

| NO | ITEM | DESCRIPTION | Q'TY |
|----|-------|---------------------------------|------|
| ① | CABLE | L=610±20, Gray(S49-1) LIGHT | 1PCS |
| ② | PLUG | 6P6C Long type 50U" Square hole | 2PCS |
| ③ | BOOT | PVC 80P Gray ③ | 2PCS |

RoHS compliant

Unit: mm

| Scale | Free | | | | | Date | Name | Customer-No. | |
|-----------|-------|-----|-----------------------------------|------------|------|----------|------------|--------------|-------------------------------|
| TOLERANCE | | | | | | Drawn | 28.02.2018 | Amy | 4038584-02 |
| X. | ±0.50 | | | | | | | | |
| .X | ±0.35 | ③ | Correct boot color | 12.04.2018 | Amy | Approved | 12.04.2018 | Amy | ASSMANN WSW-No. KAB 6609-1 |
| .XX | ±0.15 | ② | Add customer part number | 10.04.2018 | Amy | | | | |
| .XXX | ±0.05 | ① | Add conn/boot drawing on page 2/3 | 05.03.2018 | Amy | | | | Drawing-No. |
| DIM | TOL | ① | Add conn/boot drawing on page 2/3 | 05.03.2018 | Amy | | | | ASS 8205 CA |
| | | ① | Drawn | 28.02.2018 | Amy | | | | rev03 |
| Angle | ±3° | Id. | Modification | Date | Name | | | | Replace |



ASS 8205 CA

rev03

Replace

SHEET 1 / 3

1

2

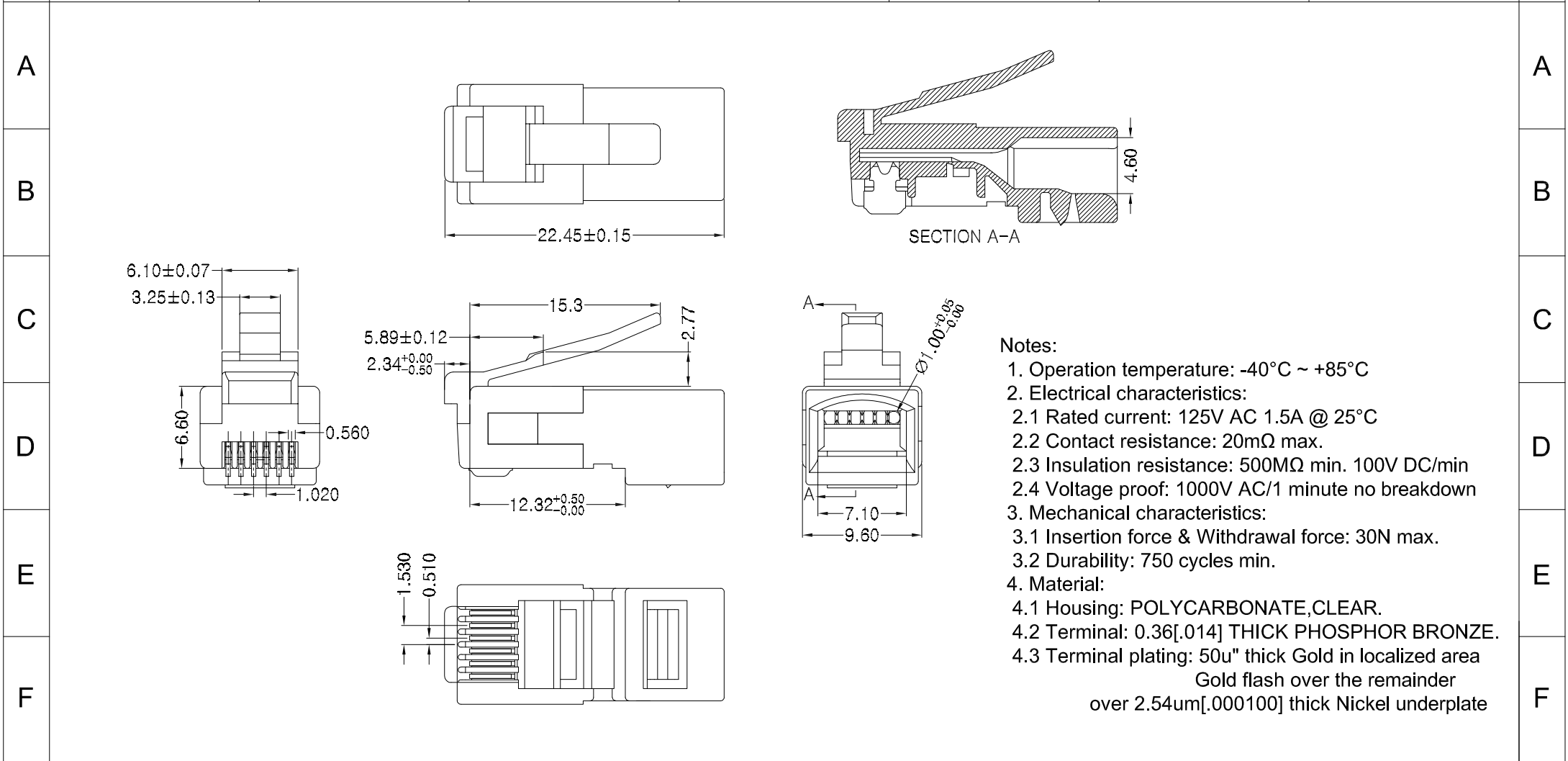
3

4

5

6

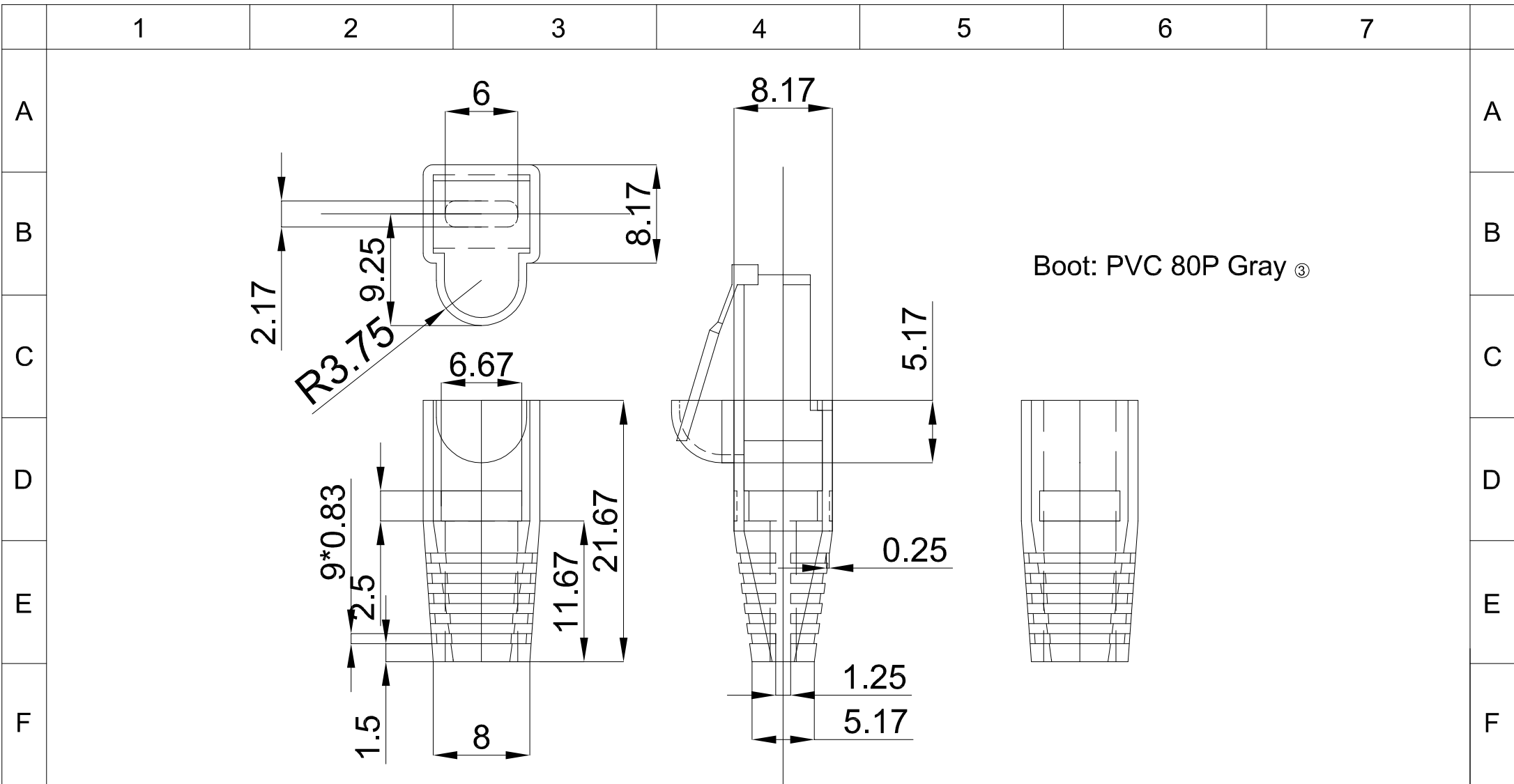
7



- Notes:**
- Operation temperature: -40°C ~ +85°C
 - Electrical characteristics:
 - Rated current: 125V AC 1.5A @ 25°C
 - Contact resistance: 20mΩ max.
 - Insulation resistance: 500MΩ min. 100V DC/min
 - Voltage proof: 1000V AC/1 minute no breakdown
 - Mechanical characteristics:
 - Insertion force & Withdrawal force: 30N max.
 - Durability: 750 cycles min.
 - Material:
 - Housing: POLYCARBONATE,CLEAR.
 - Terminal: 0.36[.014] THICK PHOSPHOR BRONZE.
 - Terminal plating: 50u" thick Gold in localized area
Gold flash over the remainder
over 2.54um[.000100] thick Nickel underplate

RoHS compliant
Unit: mm

| | | | | | | | | |
|-----------|-------|-----|-----------------------------------|------------|-------|------------|------------|-------------------|
| Scale | Free | | | | | Date | Name | Customer-No. |
| TOLERANCE | | | | | Drawn | 28.02.2018 | Amy | 4038584-02 |
| .X | ±0.20 | ③ | Correct boot color | 12.04.2018 | Amy | Approved | 12.04.2018 | ASSMANN WSW-No. |
| .XX | ±0.10 | ② | Add customer part number | 10.04.2018 | Amy | | | KAB 6609-1 |
| .XXX | ±0.05 | ① | Add conn/boot drawing on page 2/3 | 05.03.2018 | Amy | | | Drawing-No. |
| DIM | TOL | ① | Drawn | 28.02.2018 | Amy | | | ASS 8206 CA rev03 |
| Angle | ±2° | Id. | Modification | Date | Name | | | Replace |



RoHS compliant
Unit: mm

| Scale | Free | | | | | Date | Name | Customer-No. |
|-----------|-------|-----|-----------------------------------|------------|-------|------------|------------|-----------------|
| TOLERANCE | | | | | Drawn | 28.02.2018 | Amy | 4038584-02 |
| X. | ±0.50 | ③ | Correct boot color | 12.04.2018 | Amy | Approved | 12.04.2018 | ASSMANN WSW-No. |
| .X | ±0.35 | ② | Add customer part number | 10.04.2018 | Amy | | | KAB 6609-1 |
| .XX | ±0.15 | ① | Add conn/boot drawing on page 2/3 | 05.03.2018 | Amy | | | Drawing-No. |
| .XXX | ±0.05 | ① | Add conn/boot drawing on page 2/3 | 05.03.2018 | Amy | | | ASS 8206 CA |
| DIM | TOL | ① | Drawn | 28.02.2018 | Amy | | | rev03 |
| Angle | ±3° | Id. | Modification | Date | Name | | | Replace |
| | | | | | | | | |